

Broadband low noise amplifier

BBA1UL-sma

20MHz to 2500MHz

Features

- PCB sub assembly
- high linearity gain from 20MHz to 2.5GHz, 50 ohm
- 10v – 15v DC with reverse polarity protection

Applications

- VHF/UHF
- receiver preamplifier with high blocking rejection
- use with splitter for distribution to multiple receivers

Electrical specification at 20°C

model	Frequency (MHz)		Gain (dB)	Noise figure (dB)	Gain flatness (±dB)	-1dBcompression typical (dBm)	DC power	
	min	max					V	mA
BBA1UL-sma	20	2500	>20	<4.8	<1.5	>+15	+10 to 15	<100

Continental Compliance Ltd

Registered in England and Wales No 02856093

35 Highfield Way, North Ferriby, East Yorkshire, HU14 3BG, UK.

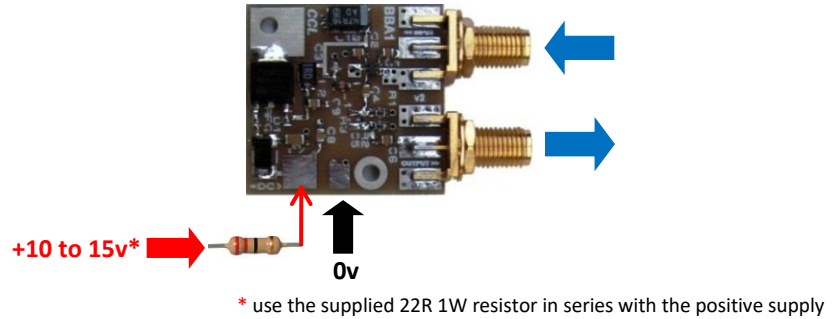
Telephone +44 (0)1482 631558.

Application notes available at www.rfdesignuk.com

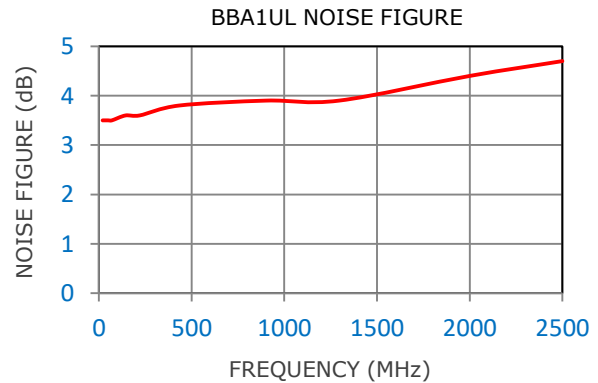
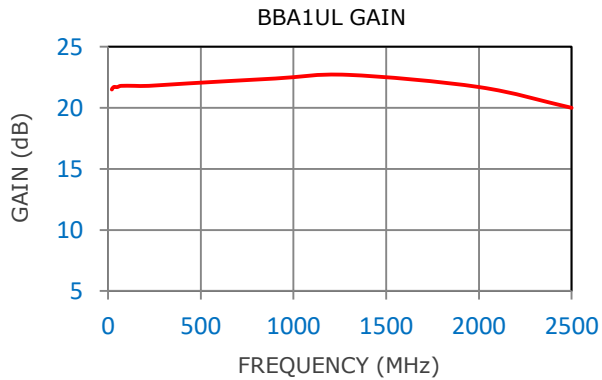
Maximum ratings

Storage temperature	-30°C to + 70°C
Operating temperature	-10°C to +50°C
DC Voltage	+16.0V
Input port power	+20dBm

PCB dimensions: 30mm by 30mm



Typical measured performance from production sample:



Continental Compliance Ltd

Registered in England and Wales No 02856093

35 Highfield Way, North Ferriby, East Yorkshire, HU14 3BG, UK.

Telephone +44 (0)1482 631558.

Application notes available at www.rfdesignuk.com